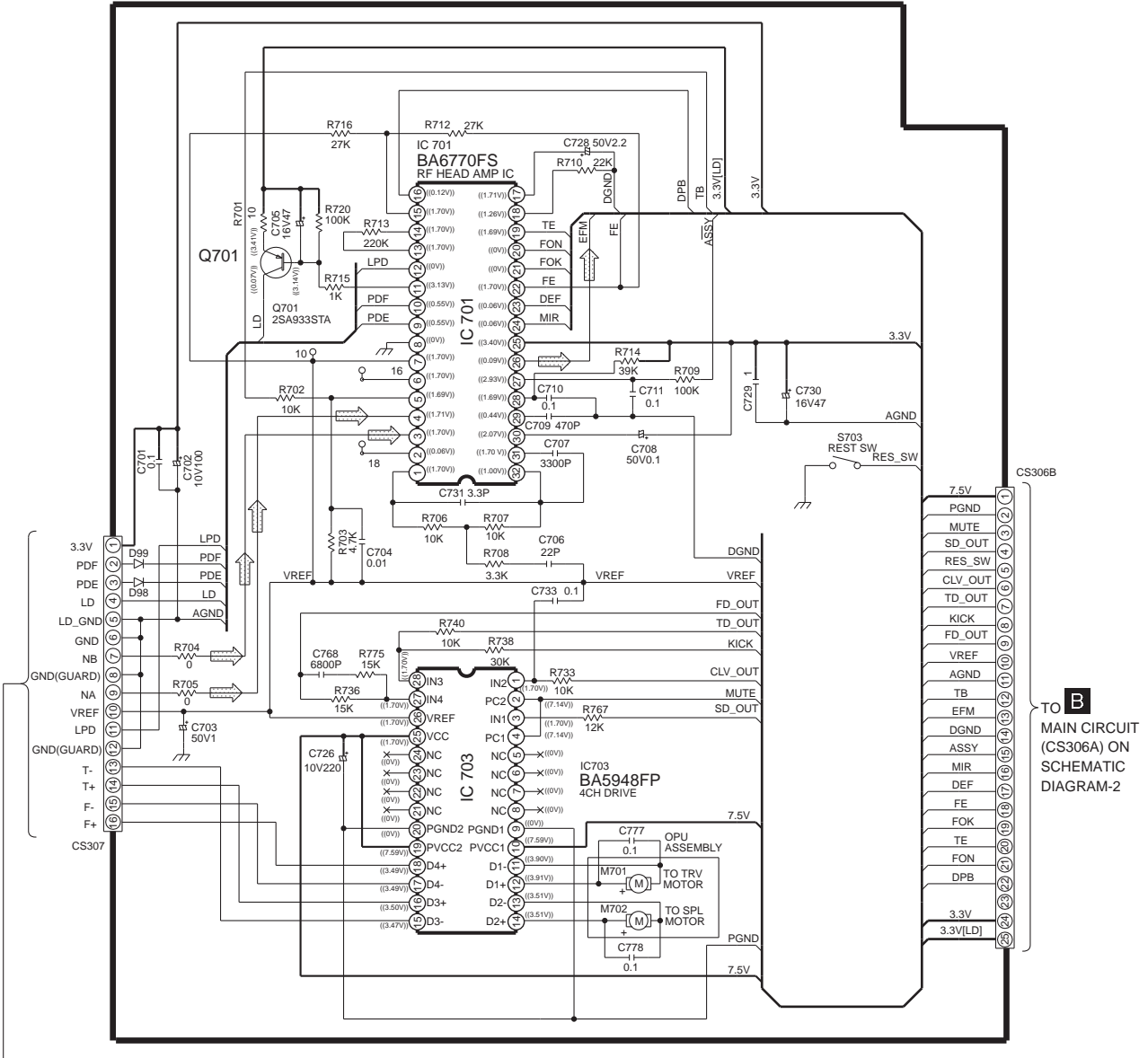


SCHEMATIC DIAGRAM-1

A

CD SERVO CIRCUIT

— : +B Signal line ⇨ : CD Signal line



TO **B**
MAIN CIRCUIT
(CS306A) ON
SCHEMATIC
DIAGRAM-2

OPTICAL PICKUP CIRCUIT

